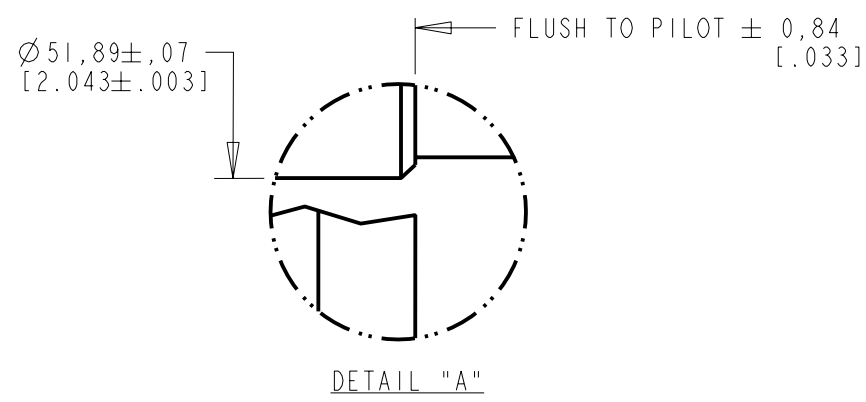


MODEL	L1	L2	L3
960	420,4 [16.55]	291,1 [11.46]	375,9 [14.80]
980	471,2 [18.55]	341,9 [13.46]	426,7 [16.80]

PIN-OUT	
POWER CONNECTOR	
PIN	FUNCTION
U	U
V	V
W	W
-	GND
+	BR+
-	BR-
1	-
2	-

PIN-OUT	
ENCODER CONNECTOR	
PIN	FUNCTION
1	SIN +
2	SIN -
3	COS +
4	COS -
5	DATA +
6	DATA -
7-8	-
9-10	-
11	EPWR 9V
12	ECOM
13	TS +
14	TS -
15-17	-



- NOTE:
- DXF OF THIS DRAWING MUST BE SCALED TO LENGTH ON CHART (960). MODEL SHOWN IS MPL-B980x-xJ74AA.
 - 3D STEP (.stp) FILES AVAILABLE AT ALL LENGTHS.
 - COVERS SINGLE AND MULTI-TURN ABSOLUTE ENCODER (i.e. MPL-B9xxx-MJ74AA and MPL-B9xxx-SJ74AA) B960's thru B980's.

REFERENCES		DESCRIPTION	CAD DOCUMENT	
VERSION	UNLESS OTHERWISE SPECIFIED	MPL-B9xx-xJ74AA, ESM, M58	Allen-Bradley 	
00	DO NOT SCALE DRAWING DIMENSIONS ARE IN MILLIMETERS WITH INCHES REFERENCED [X] UNTOLERANCED DIMENSIONS ARE REFERENCE 3RD ANGLE PROJECTION			
		DR. EQ	DATE 2-10-09	SHEET 1 OF 1
		DXF 2D OR STEP 3D FILE AVAILABLE		DWG. SIZE B
		DOCUMENT NUMBER 10000046456		